			Title		
			Energy Storage System Specification (50kWh ESS)		
	RESPONSIBLE	DATE	SIZE	DOCUMENT NO.	REV
AUTHORS	MC Kim	25 Nov 2016	A	P400-1005	0.0
USER	Various				
RELEASE	MC Kim	25 Nov 2016	MANUAL CHANGE PROHIBITED		SHEET 1 OF 4

Energy Storage System Specification (Model : 50kWh)



Prepared By: Product Engineering & Systems Engineering
Original Issue Date: Nov 31, 2016

Enertech International, Inc.

269, Chungjuhosu-ro, Chungju-city, Chungcheongbuk-do, Korea

TEL: 82-43-850-1803 FAX: 82-43-855-9172

<http://www.enertechint.com>

CONFIDENTIAL / SENSITIVE INFORMATION

Note: This document and any attachments may be proprietary, privileged and confidential, or otherwise protected from disclosure. If the reader of this document is not the intended recipient, or an employee or agent responsible for delivering this document to the intended recipient, you are hereby notified that you are not authorized to read, print, retain or copy this document or any part of it, and that any dissemination or distribution of this message is strictly prohibited. If you have received this document in error, please notify the person who delivered it immediately and destroy all copies of this document.

TITLE	SIZE	DOCUMENT NO.	REV
Energy Storage System Specification (50kWh ESS)	A	P400-1005	0.0
	MANUAL CHANGE PROHIBITED		SHEET 2 OF 4

1. Product Technical Specifications

Specific parameters for each of the 50kWh battery system blocks are detailed in the chart below

Parameter	Units	Specification	Note
Pack Cell Configuration:	each	2	P2 cells
Series	n/a	192	
Cells in Parallel	n/a	4	
Cell Voltage:			
Max	V	4.2	at 100% SOC
Nom	V	3.75	
Min	V	3.0	at 0% SOC
Cell Capacity:			
Rated	Ah	20	from cell specification
System Configuration:			
Cell Modules	Cell Modules	32	each cell module contains 24 cells (12s2p)
System Capacity (BOL):			
Theoretical	Ah	80	calculated based on cell capacity
Rated	Ah	83.24	estimated when C/3 rate is used to determine capacity; current taper applied at end of charge
System Capacity (EOL):			
Theoretical	Ah	56	estimated at 70%
System Voltage:			
Max	V	806.4	determined at maximum cell voltage
Nom	V	720	determined at nominal cell voltage
Min	V	576	determined at minimum cell voltage
System Energy:			
Theoretical	kWh	57.6	calculated value based on theoretical system capacity
Rated	kWh	59.9	calculated value based on rated system capacity
Usable (typical)	kWh	34	estimated energy between 20% and 80% SOC, de-rated specific to system application
Usable (max)	kWh	47	estimated energy between 8% and 90% SOC, de-rated specific to system application
System Discharge Power:			
Continuous	kW	28.8	at nominal system voltage (40A*720V)
Max	kW	288	at nominal system voltage (400A*720V)
Peak	kW	576	at nominal system voltage (system/cell peak, duration less than 1s) : 800A*720V
System Charge Power:			
Continuous	kW	228.8	at nominal system voltage (40A*720V)
Max	kW	288	at nominal system voltage (400A*720V)
Peak	kW	576	at nominal system voltage (system/cell peak, duration less than 1s) : 800A*720V
System Discharge Current:			
Continuous	A	40	continuous between 20% and 100% SOC, specific to system application
Max	A	400	continuous between 20% and 100% SOC (system maximum continuous)

Enertech International CONFIDENTIAL/SENSITIVE INFORMATION

Copyright 2016 Enertech International, Inc. All rights reserved. .

TITLE	SIZE	DOCUMENT NO.	REV
Energy Storage System Specification (50kWh ESS)	A	P400-1005	0.0
	MANUAL CHANGE PROHIBITED		SHEET 3 OF 4

Parameter	Units	Specification	Note
Peak	A	800	between 0% and 100% SOC (system/cell maximum surge, duration less than 1s)
System Charge Current:			
Continuous	A	40	continuous between 0% and 80% SOC, specific to system application
Max	A	400	continuous between 0% and 80% SOC (system maximum continuous)
Peak	A	800	between 0% and 100% SOC (system/cell maximum surge, duration less than 1s)
System Mass	kg	605	
System Shelf Life	years	5	continuous between 0% and 100% SOC
Cell Balancing	Type	Dissipative	BMS Temperature Diagnostics
Thermal Management	Type	Limit Controlled	BMS Current Limited above normal cell operating temperature
Operating Temperature/Humidity:			
Max	% RH	85	range (cell min/max)
Min	% RH	45	range (cell min/max)
Max	degrees C	55	range (cell min/max)
Min	degrees C	(-)20	range (cell min/max)
Storage Temperature	degrees C	(-)20 to 25 <1year	range (cell min/max)
Pre-Charge	Type	Internal	HV Load Capacitance protection
GFD	n/a	Enabled	BMS Isolated Diagnostics
EPO	n/a	Enabled	Emergency Power OFF (interlock)

Table 1 Product Technical Specifications

TITLE	SIZE	DOCUMENT NO.	REV
Energy Storage System Specification (50kWh ESS)	A	P400-1005	0.0
	MANUAL CHANGE PROHIBITED		SHEET 4 OF 4

2. Mechanical Drawings

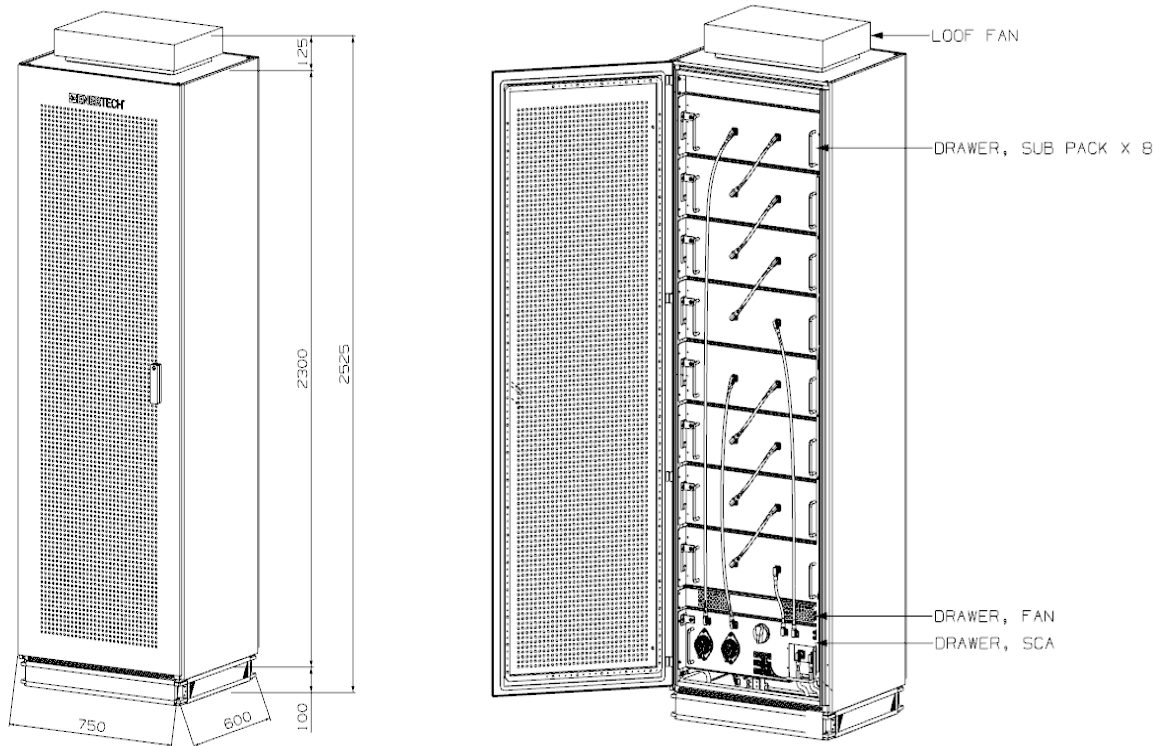


Figure 1 Rack drawing

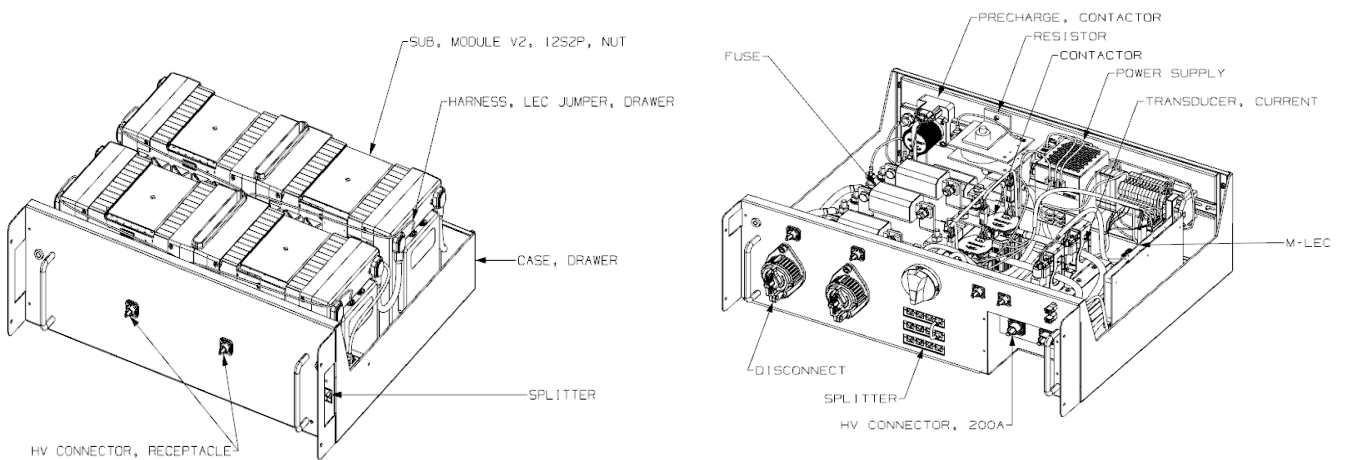


Figure 2 Drawer drawing