

 <b>ENERTECH™</b>	<b>SIMPLIFIED SPECIFICATION</b>	<b>Version</b>	<b>V3</b>
		<b>Revision</b>	<b>1.0</b>
<b>SPB58253172(Rechargeable Lithium Ion Polymer Battery)</b>		<b>Page</b>	<b>1 / 4</b>

# **SPECIFICATION OF PRODUCT**


**Rechargeable Lithium Ion Polymer Battery**

**Model : SPB58253172V3**

**ENERTECH INTERNATIONAL, INC.**

269, Chungjuhosu-ro, ChungJu-city, Chungbuk , Korea  
TEL: 82-43-850-1955 FAX: 82-43-855-9175

[www.enertechint.com](http://www.enertechint.com)

	<b>SIMPLIFIED SPECIFICATION</b>	Version	V3
		Revision	1.0
<b>SPB58253172(Rechargeable Lithium Ion Polymer Battery)</b>		Page	2 / 4

## I . Cell Specification

### 1. Scope

This specification defines the characteristics of a rechargeable lithium ion polymer battery manufactured by **Enertech International, Inc.**

### 2. Description and Model


2.1 Description	Rechargeable Lithium Ion polymer battery
2.2 Model	SPB58253172V3

### 3. Specifications

Item		Specification		Remark	
3.1	Capacity	Nominal	25.0 Ah		
3.2	Energy Density	Volumetric	366 Wh/ℓ		
		Gravimetric	193 Wh/kg		
3.3	Cell Weight	≤480 g			
3.4	Nominal Voltage	3.70 V			
3.5	Operating Voltage Range	Charge(1*)	4.20 V		
		Discharge	2.70 V	Cut-off Voltage	
3.6	Standard Current	Charge(CC/CV)	8.3 A	Cut-off : 4.2V/0.05C	
		Discharge(CC)	8.3 A	Cut-off : 3.0V	
3.7	Maximum Current	Charge	50 A	2C	
		Discharge	75 A	3C	
		Peak Discharge	125 A	Less than 10sec	
3.8	Initial Internal Resistance	<2mΩ		AC impedance at 1kHz	
3.9	Operating Temperature	Charge	0°C ~ 55°C		
		Discharge	-20°C ~ 55°C		
		Recommend	25 ± 3°C		
3.10	Storage Temperature(2*)	< 1 month	-20°C ~ 55°C		
		< 1 year	-20°C ~ 25°C		
3.11	Storage Humidity	45 ~ 85%RH		Non-condensing	
3.12	Cell Dimensions	Thickness	5.8mm	+ 0.2- 0.4	Initial full charged
		Width	253mm	± 1	
		Length	172mm	± 1	Excluding tab
		Length	192mm	± 1	Including tab

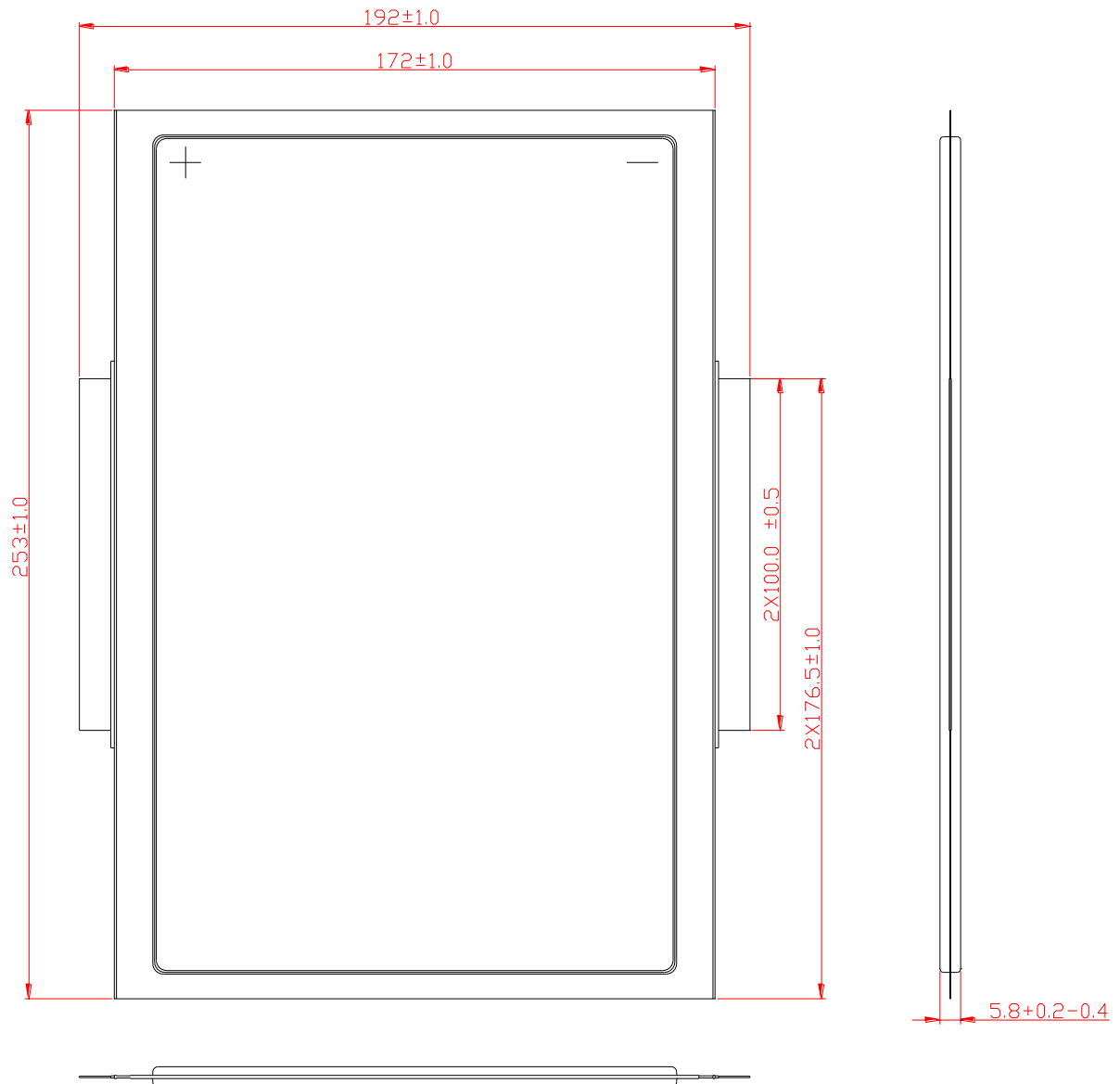
Note (1) : Charging Method is CC-CV(constant voltage with limited current)


Note (2) : The capacity recovery rate is more than 80%.

	<b>SIMPLIFIED SPECIFICATION</b>	Version	V3
		Revision	1.0
<b>SPB58253172(Rechargeable Lithium Ion Polymer Battery)</b>		Page	3 / 4

## II . Out View Drawing

(unit : mm)



	<b>SIMPLIFIED SPECIFICATION</b>	Version	V3
		Revision	1.0
<b>SPB58253172(Rechargeable Lithium Ion Polymer Battery)</b>		Page	4 / 4

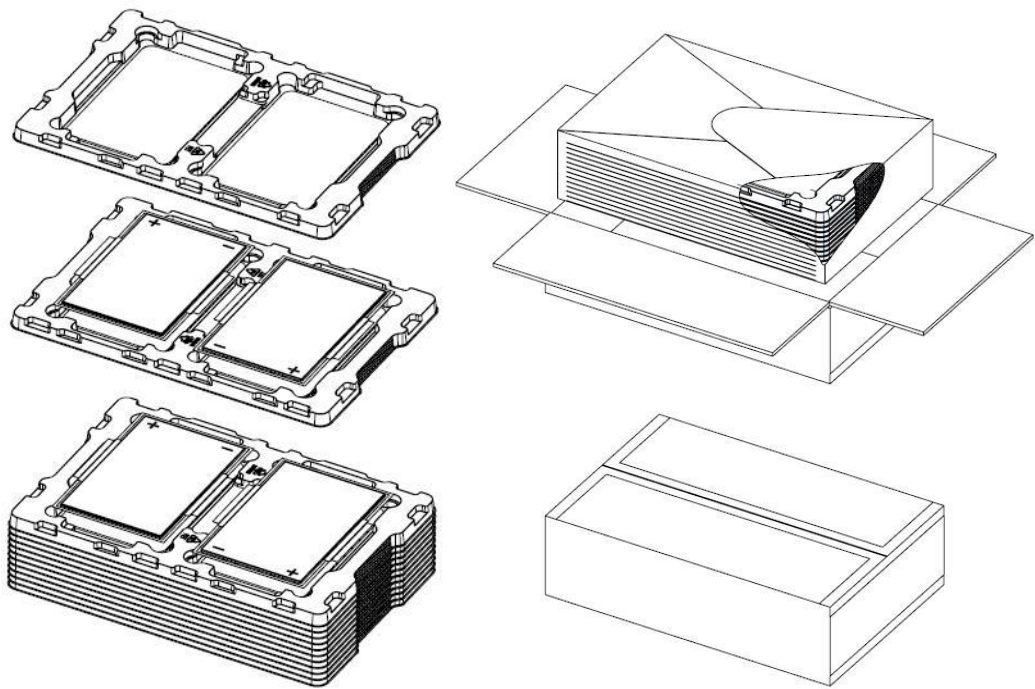
### III. Packing Specification

#### 1. Master Packing Box

1.1 Dimension of Box : 525(W) X 350(D) X 160(H)

1.2 Packing Box Weight : less than 15.0 Kg / Box

#### 2. Packing Method



ITEM	DISCRIPTION	QTY	UNIT	Remark
1	TRAY	13	EA	
2	Cell	24	EA	
3	POLY BAG	1	EA	
4	BOX	1	EA	